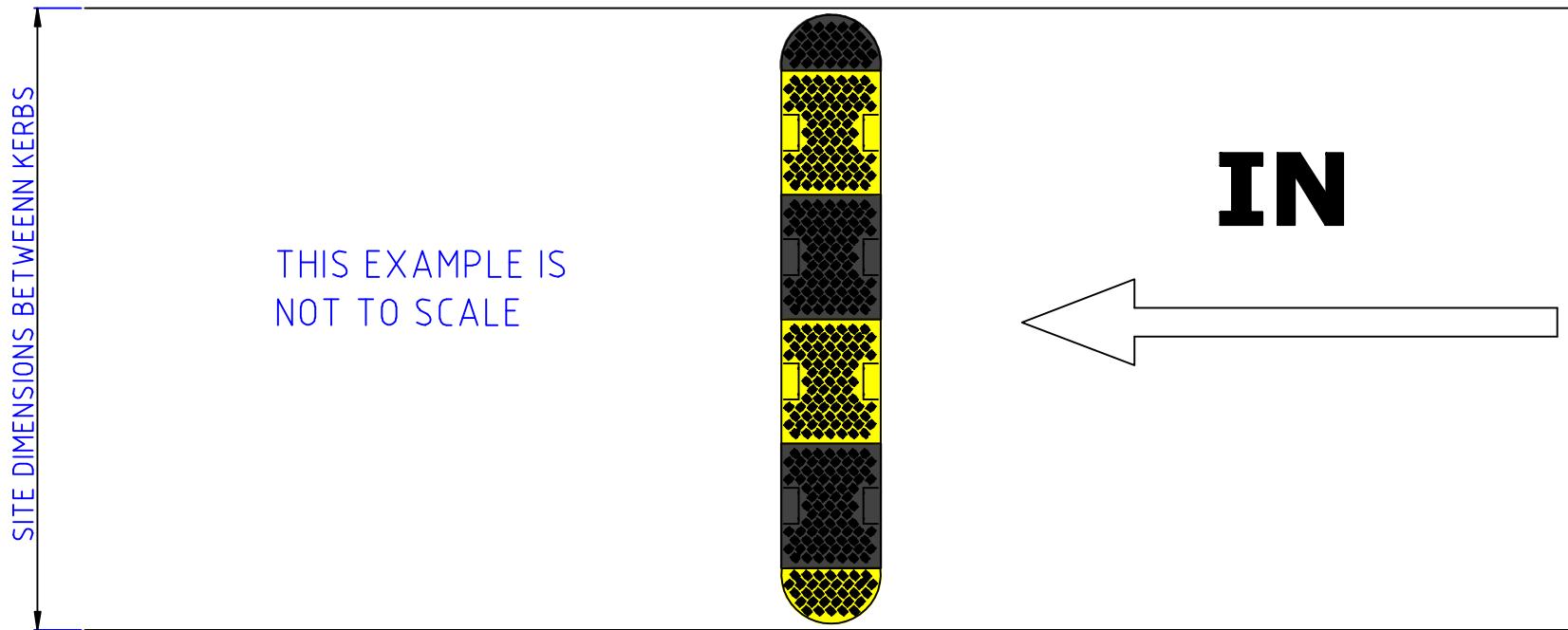
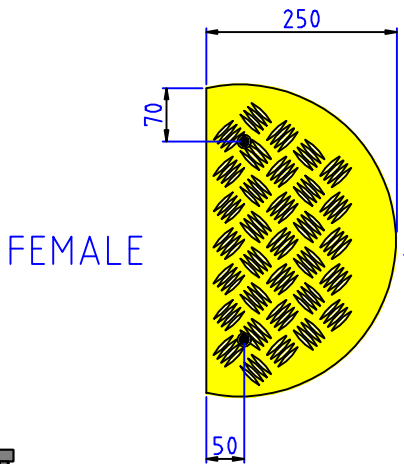
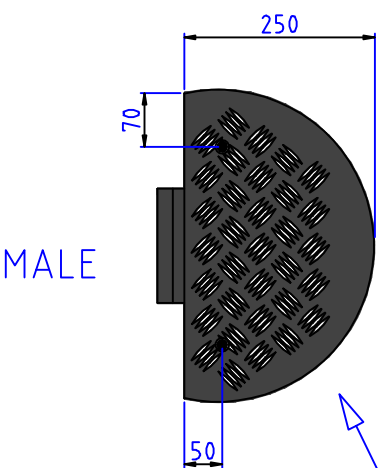
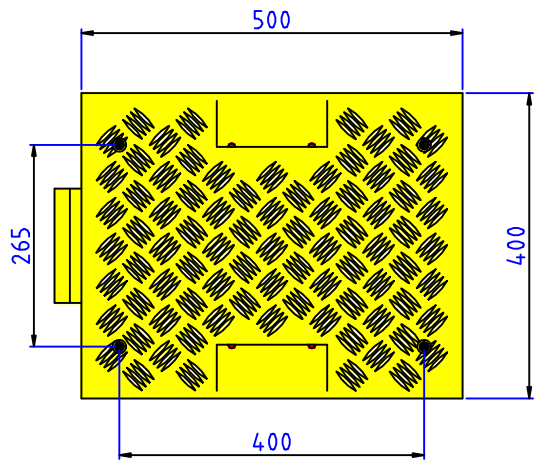
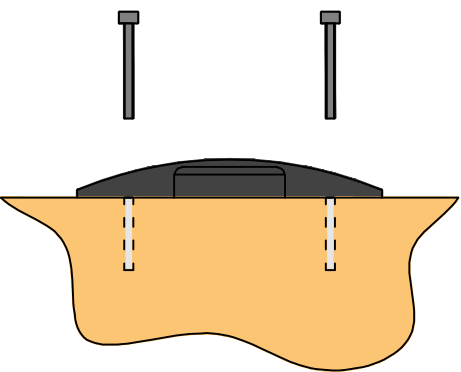
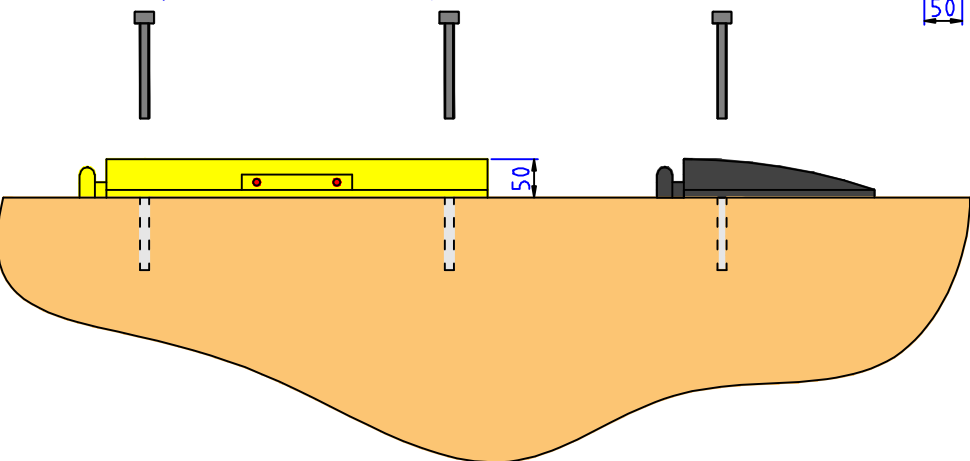


PF5750 50mm SPEED RAMP



FIXING BOLTS ARE M12 X 125mm (FOUR PER CENTRE SECTION - 2 PER END CAP)

THERE WILL BE 1 X MALE AND 1 X FEMALE END CAP
BLACK = MALE
YELLOW = FEMALE



SPEED RAMP LENGTH	NUMBER OF CENTRE SECTIONS	NO.OF FIXING BOLTS (PACK OF 4)	NUMBER OF END CAPS (PAIRS)
2M	3	4	1
3M	5	6	1
4M	7	8	1
5M	9	10	1
6M	11	12	1
7M	13	14	1
8M	15	16	1
9M	17	18	1
10M	19	20	1
11M	21	22	1

THERE IS NO CENTER RUN CABLE TUNNEL FOR TRAFFIC LIGHTS/CABLING ON THE 50mm HIGH SPEED RAMP

DRAWN BY :	STUART RUSSELL	TITLE : PF5750 50MM SPEED RAMP			
DATE :	09/03/2009				
SCALE :	SCHEMATIC	DRAWING NUMBER :	PF5750-50	REVISION :	1