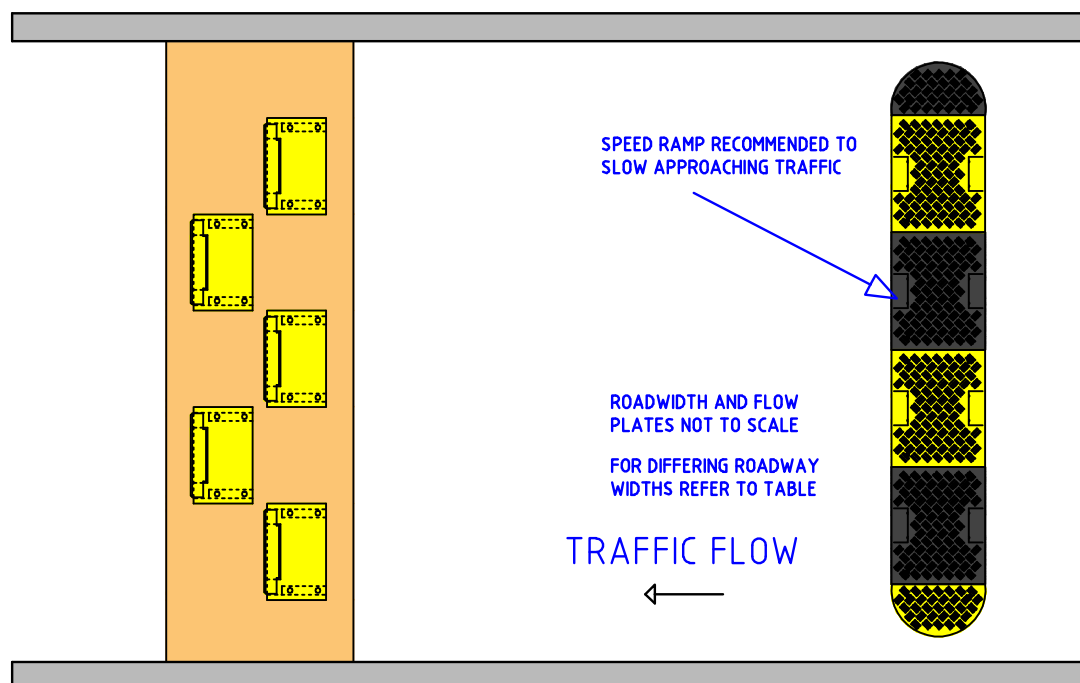
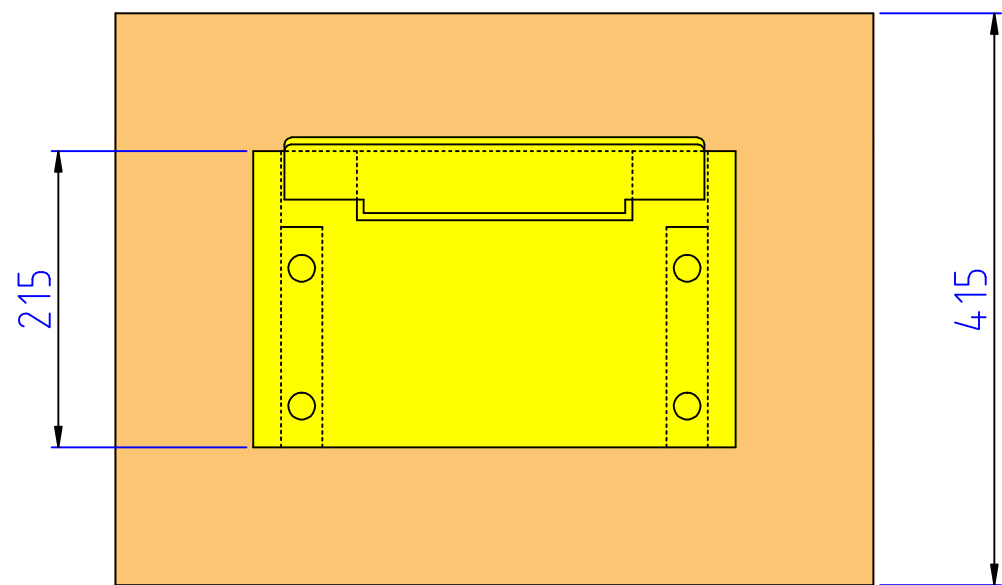


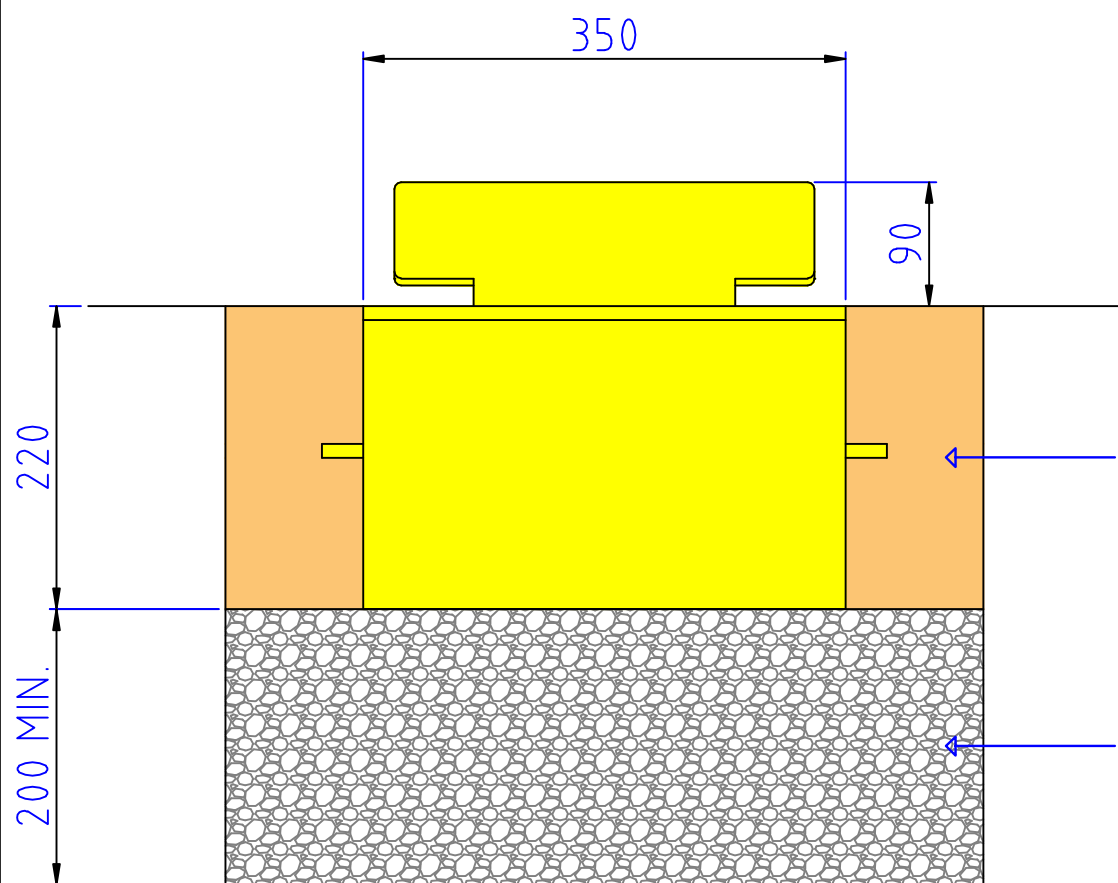
PF5800 SUNKEN TRAFFIC FLOW PLATES



TRAFFIC FLOW CONTROL PLATES ARE DESIGNED TO ENCOURAGE ONE WAY TRAFFIC FLOW AND PREVENT UNAUTHORISED ENTRY/EXIT WITHIN ANY LOCATION.

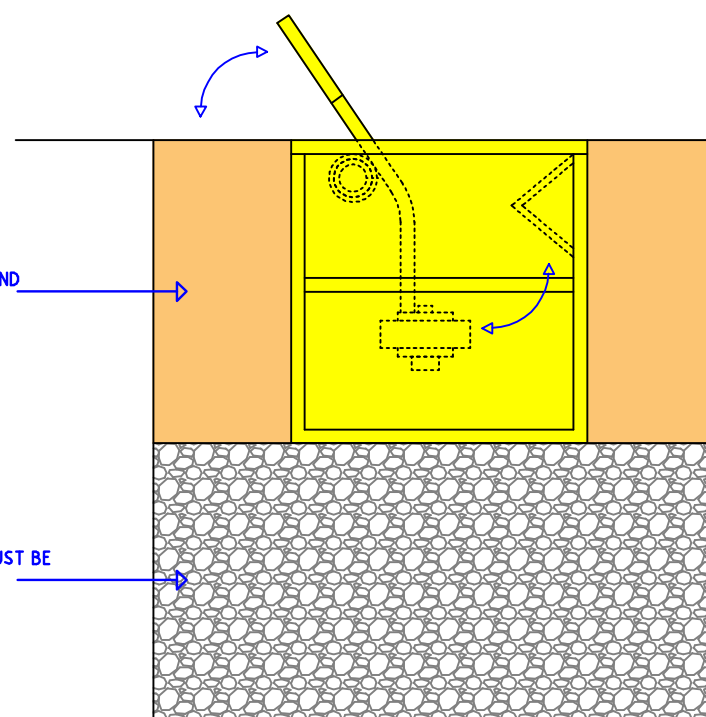
MANUFACTURED FROM HEAVY STEEL PLATE, WITH NOISE REDUCTION BUFFERS TO ALLOW SMOOTH OPERATION.

AVAILABLE IN STANDARD YELLOW POWDER COATING.



CONCRETE BASE TO SURROUND SUNKEN FLOW PLATES.

GRAVEL FOR SOAK AWAY MUST BE A MINIMUM OF 200mm DEEP.



ROAD WIDTH METRIC (mm)	IMPERIAL (FEET)	NO. OF PLATES
2000	6.56'	5
2500	8.20'	6
3000	9.84'	7
3500	11.48'	9
4000	13.12'	10
4500	14.76'	11
5000	16.40'	13
5500	18.05'	14
6000	19.69'	15

DRAWN BY :	STUART RUSELL	TITLE : PF5800 SUNKEN TRAFFIC FLOW CONTROL PLATES			
DATE :	10/03/2009				
SCALE :	SCHEMATIC	DRAWING NUMBER :	PF5800	REVISION :	1