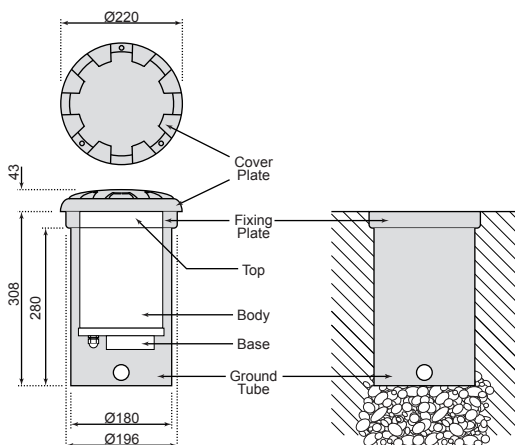


Loja



An attractive slimline, general purpose range of drive-over, available in a wide range of lamp technologies including metal halide and compact fluorescent. Suitable for hotels, garages, prestigious building driveways, shopping mall approaches, car parks and landscape features.

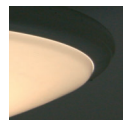
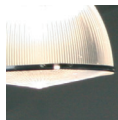
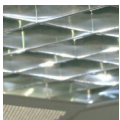
- Attractive low profile appearance
- 1500Kg load limit
- Optional anti-vandal screw fixing
- Twin cable entry points
- Robust construction
- IP67



SPECIFICATION

To specify state the following:

An IP67 polyester powder coated die-cast aluminium black cover plate and white body. Toughened glass diffuser. Choice of metal halide, compact fluorescent, GLS or LED (Light Emitting Diode) lamp technologies. Metal halide control gear is complete with timed ignitor.





Materials and Design

Polyester powder coated, die-cast aluminium white base and black cover plate with a max load of 1500Kg.
A toughened glass diffuser, and plated steel gear tray.
Extruded PVC ground tube.

Installation

The Loja is installed in concrete in a hole with the bottom edge of the cover plate oriented flush with the ground.
This hole has to be lined with sufficient fine shingle to allow the effective drainage of any rain water.

Electrical

Cable entry to the body is via a 20.0mm compression cable gland in the bottom of the base. (An additional blanking plate plug is also situated in the base for through connection.)
Electrical connections are via either a 3 way polyamide screwed terminal strip or a fused terminal strip which is available on request. 240 Volt, 50Hz nominal supply.

Classification for Protection

Against electric shock Class 1 protected with earthed metalwork. It is important that this product is electrically installed according to the relevant IEE Regulations. Against ingress of dust and moisture IP67 Technical Specification.

Standards

The Loja range of luminaires is designed and manufactured to meet the requirements of BSEN 60598 2-1.

Ordering Information

(Luminaires supplied c/w lamps)

		Code	Weight (kg)
10W	Compact fluorescent c/w switch start ballast and lamp	DOL10L	4.5
13W	Compact fluorescent c/w switch start ballast and lamp	DOL13L	4.5
18W	Compact fluorescent c/w switch start ballast and lamp	DOL18L	4.5
26W	Compact fluorescent c/w switch start ballast and lamp	DOL26L	4.5
35W	Ceramic Metal Halide c/w integral gear, timed ignitor and G12 lamp	DOLH35TLC	4.5
<5W	Light Emitting Diode (LED). An array of 25 super bright LED's 5000mcd each c/w power unit. Less than 5W total power dissipation. Available in red, blue, green and yellow. Specify colour when ordering.	DOLL25RD DOLL25BL DOLL25GR DOLL25YE	4.5