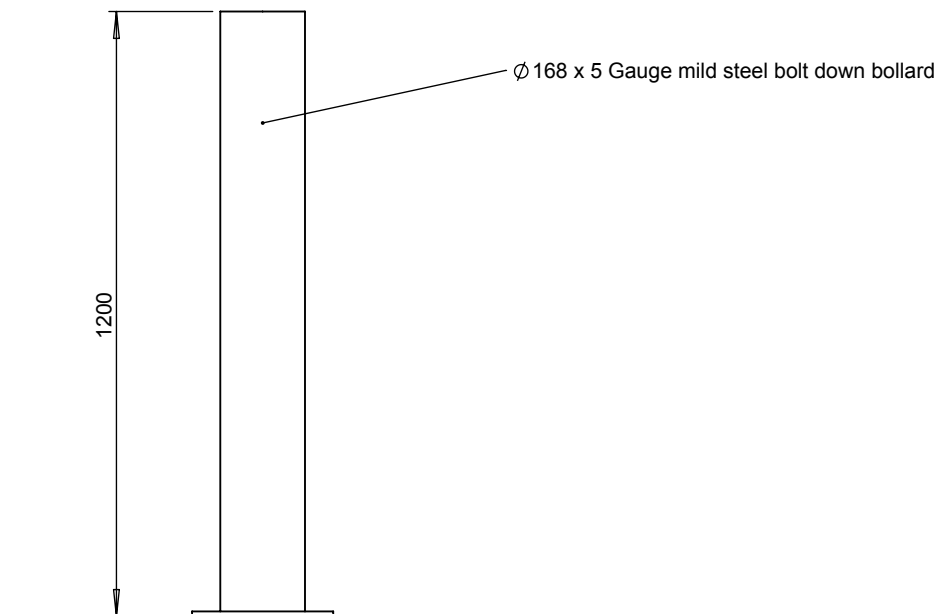
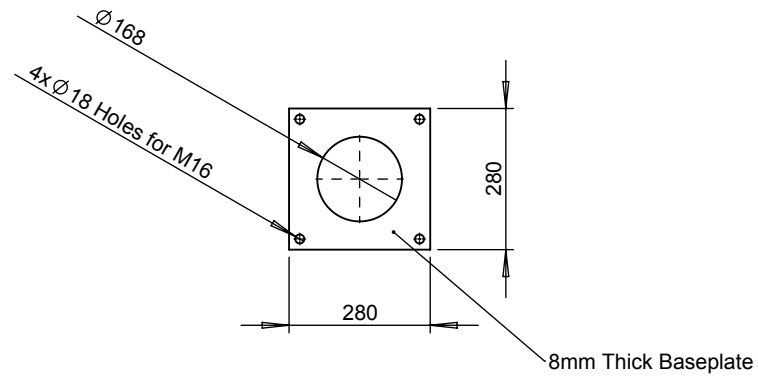


PRODUCT SPECIFICATION

Defender 168

- Galvanised to BS EN 1461 (2009)
- Option:
Powder coated finish



Drawings not to scale



RAMGroup UK

RAM Group UK
Head Office
Newby Road Industrial Estate
Hazel Grove
Stockport
SK7 5DL

Tel: +44 (0)161 482 4001
Fax: +44 (0)161 482 4041
Email: ramgroup@btconnect.com