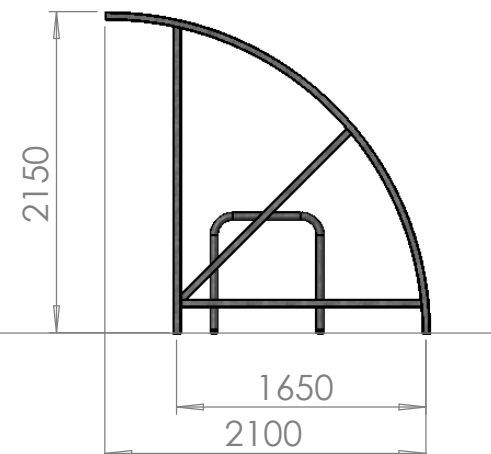
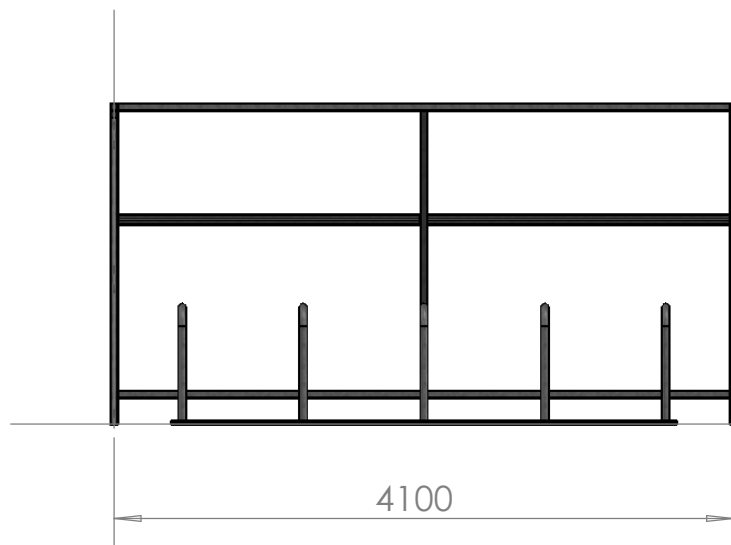
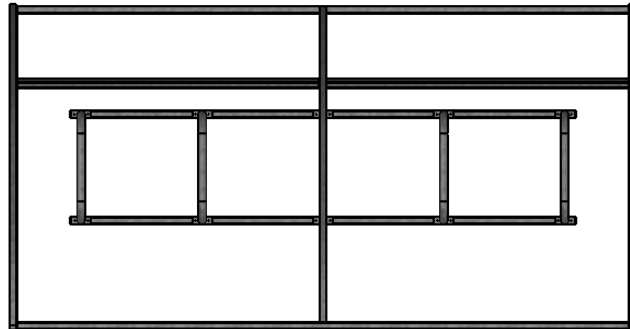


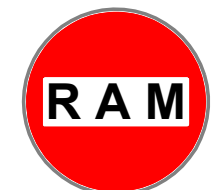
## PRODUCT SPECIFICATION

### 10 Cycle Economy Shelter

- Mild steel construction
- Fixings: bolt down
- Option: Galvanised to BSEN 1465 (2009)
- Option: Powder coat
- 3mm or 5mm thick Pet-G UV2 Clear sheeting end panels
- Extension for additional bikes



Drawings not to scale



**RAMGroup UK**

RAM Group UK  
Head Office  
Newby Road Industrial Estate  
Hazel Grove  
Stockport  
SK7 5DL

Tel: +44 (0)161 482 4001  
Fax: +44 (0)161 482 4041  
Email: ramgroup@btconnect.com