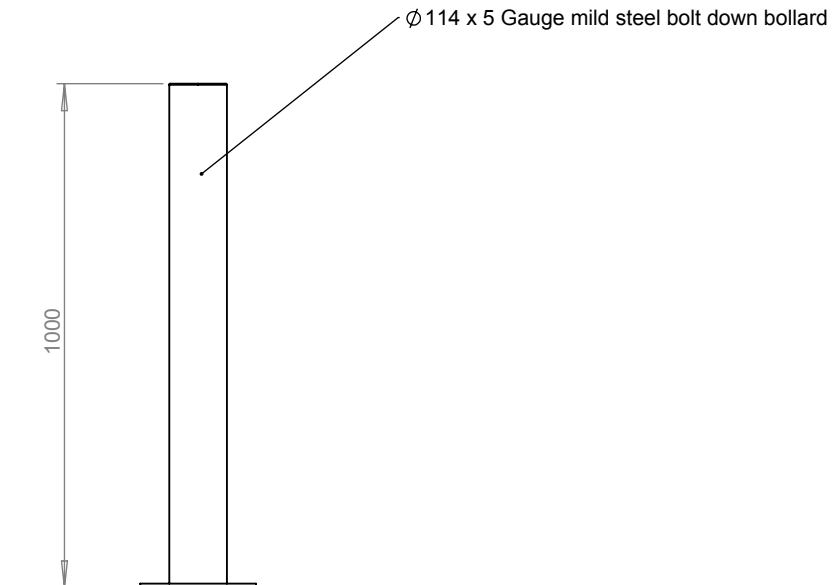
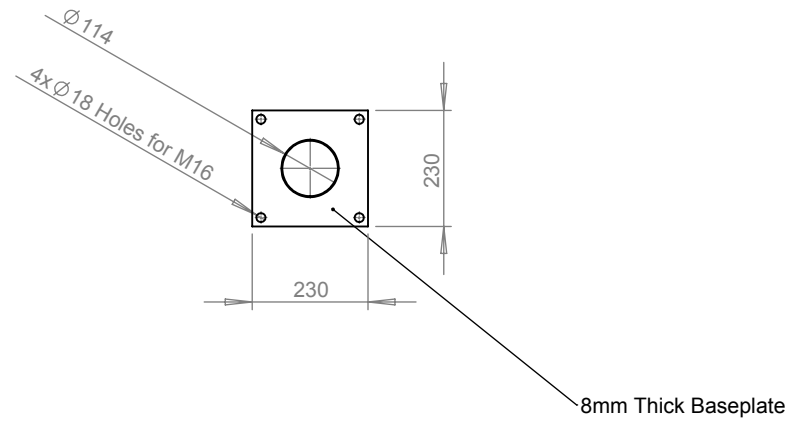


## PRODUCT SPECIFICATION

### Mini Defender 114

- Galvanised to BS EN 1461 (2009)
- Option:  
Powder coated finish



Drawings not to scale



**RAMGroup UK**

RAM Group UK  
Head Office  
Newby Road Industrial Estate  
Hazel Grove  
Stockport  
SK7 5DL

Tel: +44 (0)161 482 4001  
Fax: +44 (0)161 482 4041  
Email: [ramgroup@btconnect.com](mailto:ramgroup@btconnect.com)